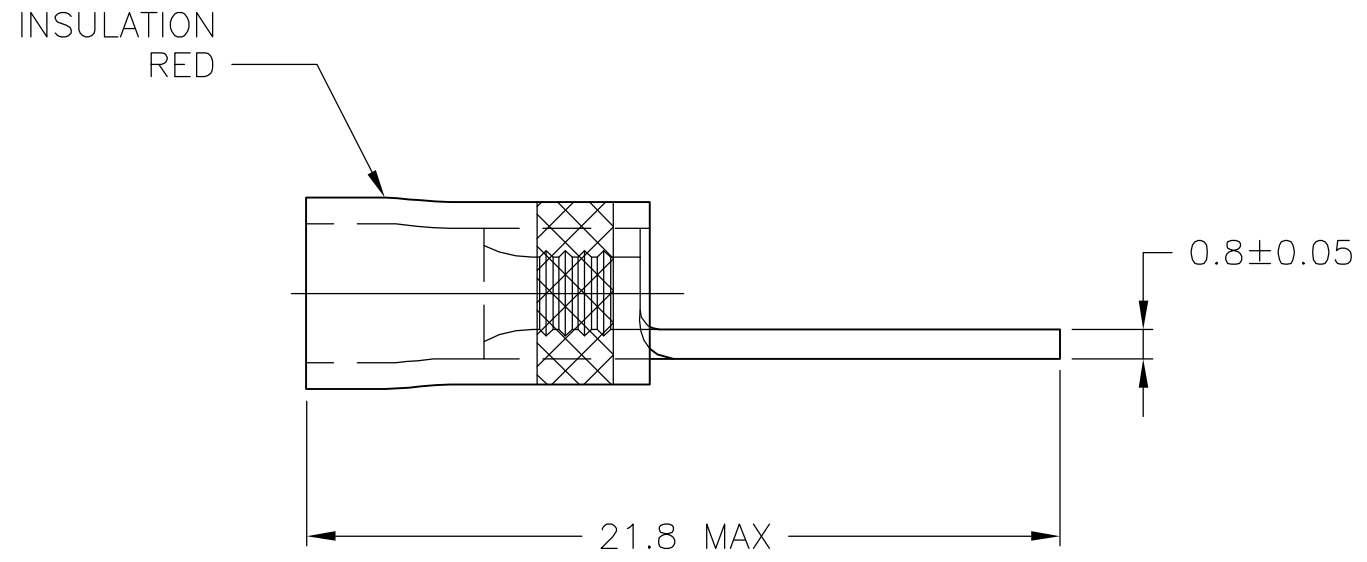
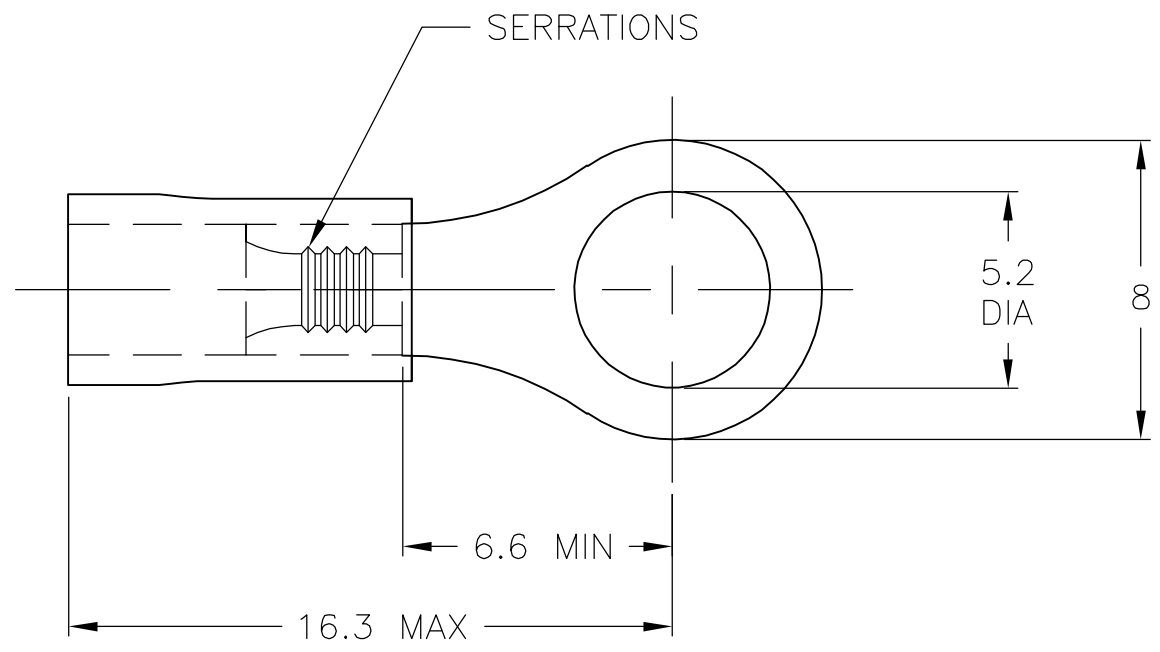


THIS DRAWING IS UNPUBLISHED. RELEASED FOR PUBLICATION
 © COPYRIGHT BY TYCO ELECTRONICS CORPORATION. ALL RIGHTS RESERVED.

LOC	DIST	REVISIONS					
F	00	P	LTR	DESCRIPTION	DATE	DWN	APVD
		G1		REV PER 05-010848	13SEP05	JR	TM



- 1 WIRE SIZE: 0.26-1.64mm²
- 2 INSULATION RANGE: 2.7-3.56 DIA
- 3 MATERIAL:
 BODY: CU PER ASTM B-152
 SLEEVE: PVC
- 4 FINISH:
 BODY: TIN PLATE PER ASTM B-545
 SLEEVE: COLOR-RED

5000	TAPE & REEL	2-130014-1
1000	LOOSE PIECE	130014
QTY	PACKAGE TYPE	PART NO.

THIS DRAWING IS A CONTROLLED DOCUMENT.		DWN JR RUTH 13SEP05	Tyco Electronics Corporation Harrisburg, Pa 17105-3608	
DIMENSIONS: mm		CHK G.ROBERT 30-JAN-97		
TOLERANCES UNLESS OTHERWISE SPECIFIED:		APVD JJ.REVIL 30-JAN-97	NAME PLASTI-GRIP TERMINAL WIRE SIZE : 22-16 AWG	
0 PLC ± - 1 PLC ± - 2 PLC ± - 3 PLC ± - 4 PLC ± - ANGLES ± -		PRODUCT SPEC -	APPLICATION SPEC -	
MATERIAL - 3	FINISH - 4	WEIGHT -	SIZE A3	CAGE CODE 00779
CUSTOMER DRAWING			DRAWING NO C-130014	RESTRICTED TO -
			SCALE 5:1	SHEET 1 OF 1
			REV G1	